

# HITACHI

## CONSTRUCTION WHEEL LOADER

ZW220-7



Reliable Solutions



**Bucket Capacity** : 3.7 - 4.7 yd<sup>3</sup> (2.8 - 3.6 m<sup>3</sup>)

**Engine Output** : 210 HP (157 kW)

**Operating Weight** : 40,013 - 41,336 lbs (18,150 - 18,750 kg)

**Model Code** : ZW220-7

# ZW220

## A Legacy of Confidence

Known worldwide, Hitachi Construction Machinery has helped generations of builders, doers, and earth-movers accomplish their goals. Hitachi Construction Machinery Americas is the source for all U.S. and Latin American operations hoping to improve productivity and reduce costs — all while building our shared future.

## Pioneering Progress Together

From dedicated Rental and Used machines business to servicing, parts sales, and remote diagnostic support, Hitachi Construction Machinery Americas has the know-how and desire to establish productive working partnerships across the region. A network of independent, local dealers providing sales and service support are at the ready, waiting to begin work on the next phase of your legacy.



**Welcome** to

# Hitachi Construction

## Endless Ambition

All of our machines have been built at state-of-the-art Hitachi Construction Machinery production facilities in Japan, after incorporating the unique needs of our North American customers. Designed for the toughest terrains, harshest environments and most intricate projects, we believe there is no job that couldn't make use of our machine.

## Unwavering Dependability

Our dedication to reliability parallels our commitment for your comfort. Safety is non-negotiable; our machines adhere to the highest standards, ensuring your team's well-being. Count on Hitachi Construction Machinery Americas for peace of mind to ensure every team member returns home safely after a hard day's work.



# Machinery Americas

# Command with **QUALITY**

**W**e're proud to introduce the latest range of wheel loaders worthy of the Hitachi Construction Machinery Americas equipment name.

At job sites across the world, our partners depend on the latest Hitachi Construction Machinery Americas equipment for increased productivity, improved operator comfort, efficient maintenance needs and innovative safety features proven to keep workers safe.

This brochure is a guide for day-to-day operators as well as fleet owners of this equipment who are hoping to save time, money, to dream big — and build bigger.

Building on decades of quality engineering, Hitachi Construction Machinery Americas presents the latest in its ZAXIS-7 lineup, the ZW220-7 wheel loader.





# TABLE OF CONTENTS

- 02** Who We Are
- 04** Introduction
- 06** Machine Highlights
- 08** Performance
- 10** Applications
- 12** Inside the Cab
- 14** Service & Maintenance
- 16** Safety
- 18** Specifications

# Efficient **POWERHOUSE**

Ready to supercharge job site productivity, the ZW220-7 wheel loader is packed with standard features that prioritize efficiency and operator comfort. Offered in both standard and high-lift configurations, its 41,035-pound operating weight gives a large window for completing varied tasks.

Integrated tools like Approach Speed Control, Auto Power Up, and Payload Checker help solve unique challenges faced by wheel loader operators while improving operator efficiency.

Backed up by the extensive Hitachi Construction Machinery Americas network, explore how the ZW220-7 can help reduce costs and boost your operations' results.

## Improved Design

Accomplish a wide variety of jobs with lower cost per hour and lower cost of ownership with the confidence of a Hitachi Construction Machinery Americas wheel loader.



## Intelligent Assists

Approach Speed Control, Auto Power Up function and a new Payload Checker improve productivity to new levels while reducing operator fatigue.

## Reliable & Powerful Engine

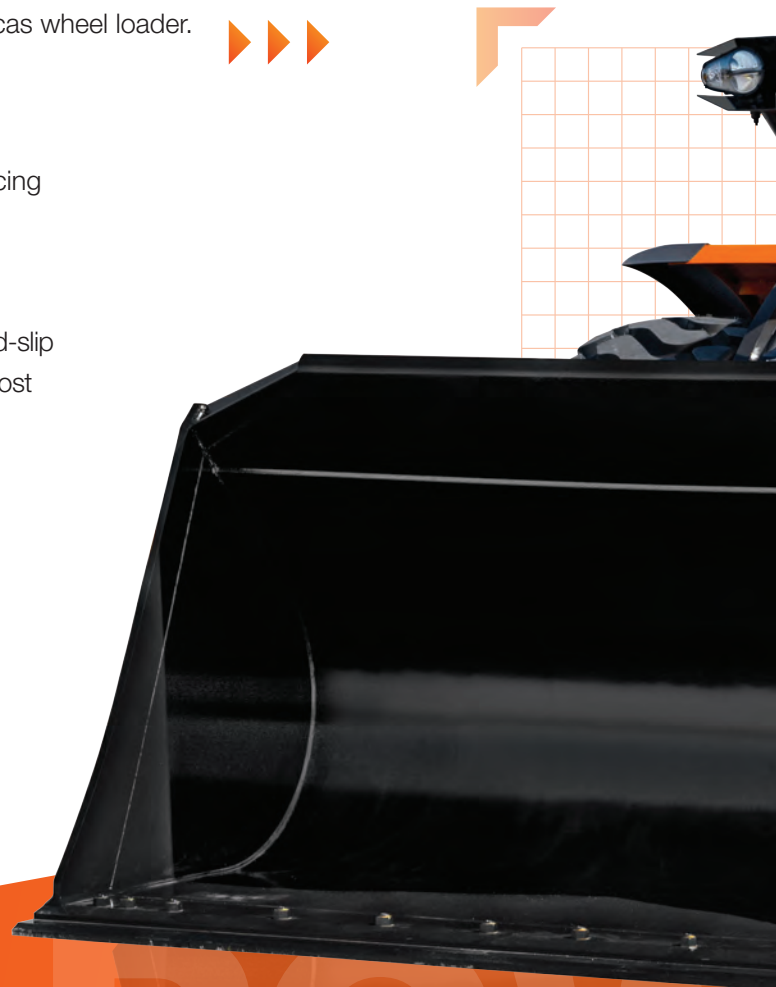
Proven Cummins engine, 5-speed transmission, and robust limited-slip differentials with predictable servicing bring power and improved cost control to an operation.

## Increased Durability

Key parts, like the engine air filter and air conditioner, are now better shielded from the elements. Additionally, a standard smart fan that automatically reverses direction helps keep the filters from getting clogged.

## Quality Materials

From non-slip exterior surfaces to more durable interior materials, our machines are made to last.





### First-Class Cab Comfort

Maximum cab space, visibility of controls, and operator line-of-sight; ROPS and FOPS certified.



### Service & Maintenance

With ConSite Air and field-tested maintenance routines, the ZW220-7 is a workhorse with predictable service intervals.



### Enhanced Productivity

Uptime is everything: lower fuel consumption and higher quality components mean less downtime and lower servicing costs.



**Bucket Capacity :** 3.7 - 7.8 yd<sup>3</sup> (2.8 - 3.6 m<sup>3</sup>)

**Engine Output :** 210 HP (157kW)

**Operating Weight :** 40,013 - 41,336 lbs (18,150 - 18,750 kg)

# MUSCLE LOADER

With a confidence-inspiring foundation, proven mechanicals, and modern operator assists, overall productivity sets this wheel loader apart. Proven 210 horsepower Cummins engine and powerful hydraulics give a Breakout Force of up to 32,625 lbf (145 kN) without compromising fuel consumption. Our uncompromising commitment to performance sets the ZW220-7 apart in these key areas:

## Reliable Powertrain

Motivated by a reliable direct injection CUMMINS B6.7 engine, the ZW220-7 has the torque to lift, move, haul, and dump materials with ease.

## Low Impact Operation

Operator comfort and jobsite comfort while maintaining high performance: cab sound levels improved to LpA 68 dB(A)\*, and external levels of LwA 105 dB(A)\*\*.



## Modern Operator Assists

Approach Speed Control sets a specific speed for the wheel loader when nearing a loading point. This allows for fewer pedal operations during loading, for reduced operator fatigue and lower fuel consumption.

## Auto Power Up Function

New Auto Power Up functionality increases hill climbing performance of the ZW220-7 by identifying slopes and increasing power output to prevent engine speed from dropping when travelling uphill.

## Full Operator Control

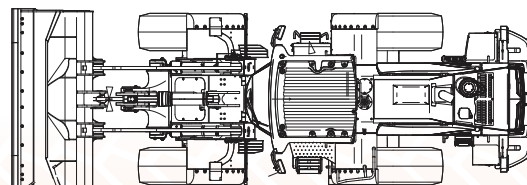
Designed to boost driver confidence, and therefore efficiency, redesigned cab controls place key functions within easy reach for more intuitive operation.

## Reduced Fatigue

Human-focused systems like Approach Speed Control, Auto Power Up, and Payload Checker, reduce operator strain by automating tasks and providing real-time feedback, especially in challenging environments.

\* ISO 6396: 2008

\*\* ISO 6395: 2008 and EU Directive 2000/14/EC







**EFFICIENT  
PERFORMANCE**

and lower cost per hour

# NEXT GENERATION

## Wheel Loader





“ Investing in a Hitachi wheel loader can provide you with a **dependable machine that withstands tough working conditions and delivers consistent performance.** ”



Chris Trampush,  
Hitachi Construction Machinery Americas  
Wheel Loader Product Manager



# Flexible **ALL-STAR**

Versatile and efficient, *the ZW220-7 has what it takes to accelerate productivity where you need it most.* Popular in a wide range of essential jobs, such as residential & commercial construction, road & highway infrastructure improvements, and at equipment rental operations. Owners and operators alike are upgrading their results with help from this modern wheel loader.





13

16

14

15

12

11

10

4

1

2

3

5

6

8

9

7



# CONFIDENT Controls

Built with all-day comfort in mind and packed with smart features like the standard Payload Checker, an advanced payload weighing system key to an operator's confidence. An all-new low vibration cab with more space, more comfortable operator positioning, and seat-mounted controls. A standard 8" LCD display and standard Bluetooth connectivity (including hands-free calling) ensure connectivity at all times.

- 1 Seat-mounted electric control levers** help to reduce fatigue.
- 2 Multifunction single-lever or dual-lever type control lever\*** options to suit your preference.
- 3 Integrated console on a air-ride seat** gives a greater sense of control.
- 4 USB charging tablet and smartphone holder** helps you stay connected.
- 5 Console mounted sub-monitor controls** provide fast access to main functions.
- 6 Ergonomically designed adjustable armrests** so you can work comfortably.
- 7 Convenient storage space** keeps your workspace tidy and clutter-free.
- 8 Heavy duty, heated, air-ride seat** with horizontal suspension.
- 9 Removable cup holder** for cleaning.
- 10 E-Stick Steering System (optional)** provides exceptional control.
- 11 Sure-grip steering wheel** for confident control.
- 12 3.5" color LCD** in the front dashboard is easy to view.
- 13 Spacious ergonomic cab** makes for a more comfortable space.
- 14 Panel switch integrated functions** are user-friendly.
- 15 Remote adjustable heated mirrors (optional)** are easy to use.
- 16 High-resolution 8" monitor** with intuitive navigation controls.

\* Shown with optional multi-lever controls. Multifunction single-lever is standard on the ZW220-7.



# SERVICE That Sticks

Protect your investment with proactive support services. Hitachi Construction Machinery Americas distribution network is dedicated to ensuring your productivity with our support team and dealers. Ask about how ConSite Air technology further increases uptime.

**ConSite**  
Consolidated Solution for Construction Sites



# NO HASSLE Maintenance

From up-to-the-second remote management with ConSite to the leading Hitachi Construction Machinery Americas Certified Remanufactured Components program, maintenance support is second-to-none. Identify problems before they start and supercharge productivity with our behind-the-scenes data platform that allows for remote fleet diagnostic access.



# SAFETY Suite

Our innovative features improve safety around your jobsite. Standard rear view camera and displays, plus a class-leading design with optimal visibility. 270° AERIAL ANGLE camera system (optional) and rear object detection (optional) are advantageous features for confined job sites, smaller work areas, and faster operator acclimatization.

## Rear View Monitor

Standard rear view camera with anti-glare in-cab display gives operators a wide field of view behind the machine.

## Unmatched Visibility

See and be seen: redesigned cab, bright LED work lights, and less interior clutter ensure operator line-of-sight in all conditions.

## AERIAL ANGLE Cameras

Optional peripheral vision camera system provides a wide 270-degree bird's-eye view of the machine's immediate environment.

## Emergency Steering Assist

An emergency steering pump provides supplemental power steering in the unlikely case of a loss of the main hydraulic pressure.

## Rear Obstacle Detection System

Optional for the ZW220-7 wheel loader, this effective early warning system can significantly improve site safety around moving equipment. Operators receive instant visual and audible alarms when near an obstacle.



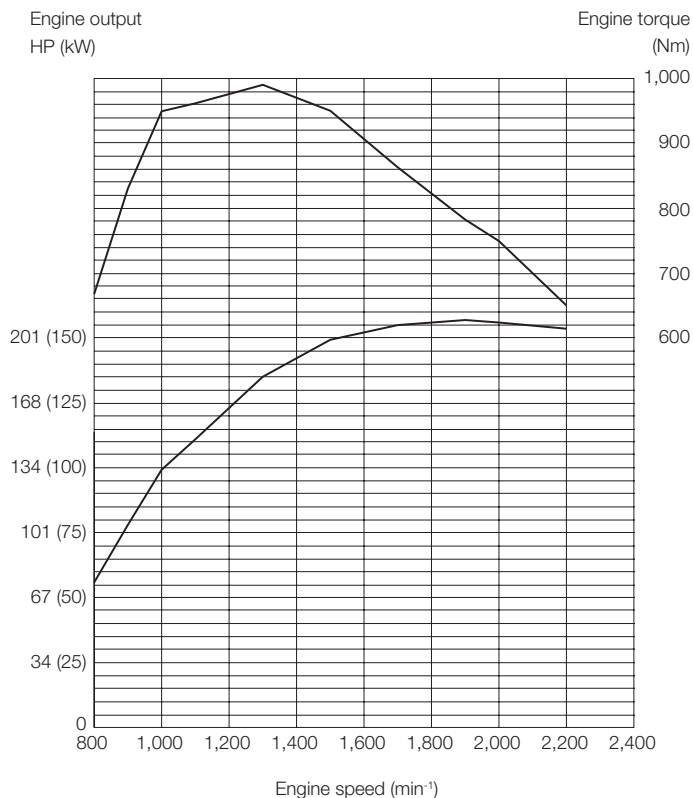




# SPECIFICATIONS

## ZW220-7

ENGINE	
Model	CUMMINS B6.7
Type	4 cycle water-cooled, direct injection
Aspiration	Turbocharger and intercooled
Aftertreatment	DPF+SCR system
No. of cylinders	6
Maximum power	
ECE R120, gross	210 HP (157 kW) at 1,900 min <sup>-1</sup> (rpm)
ISO 9,249: 2,007, net	204 HP (152 kW) at 1,900 min <sup>-1</sup> (rpm)
Rated power	
ISO 14,396: 2,002	200 HP (149 kW) at 2,200 min <sup>-1</sup> (rpm)
ISO 9,249: 2,007	193 HP (144 kW) at 2,200 min <sup>-1</sup> (rpm)
Maximum torque, gross	990 Nm at 1,300 min <sup>-1</sup> (rpm)
Bore and stroke	4.2" x 4.9"(107 mm x 124 mm)
Piston Displacement	410.1 cu.in (6.69 L)
Batteries	2 x 12 V
Air cleaner	Two element dry type with restriction indicator



POWER TRAIN		
Transmission	Torque convertershaft type powershift with computer-controlled automatic shift and manual shift features included.	
Torque converter	Three element, single stage, single phase	
Main clutch	Wet hydraulic, multi-disc type	
Cooling method	Forced circulation type	
Travel speed* Forward/Reverse		
Operating Mode	Standard Mode	Power Mode
1st mph (km/h)	3.9 (6.3) / 4.1 (6.6)	3.9 (6.3) / 4.1 (6.7)
2nd mph (km/h)	6.8 (10.9) / 7.1 (11.4)	7.1 (11.4) / 7.5 (12.0)
3rd mph (km/h)	9.9 (16.0) / 15.4 (24.8)	10.7 (17.3) / 16.7 (26.9)
4th mph (km/h)	14.7 (23.7) / -	16.0 (25.7) / -
5th mph (km/h)	22.5 (36.3) / -	22.5 (36.3) / -

\*With 23.5R25 (L3) tires  
 []: Data at Power Mode

AXLE AND FINAL DRIVE	
Drive system	Four-wheel drive system
Front and rear axle	Semi-floating
Front	Fixed to the front frame
Rear	Trunnion support
Reduction and differential gear	Two stage reduction with limited slip differential
Oscillation angle	Total 24° (+12°, -12°)
Final drives	Heavy-duty planetary, mounted inboard

TIRES	
Tire size	23.5R25 (L3)

BRAKES	
Service brakes	Inboard mounted fully hydraulic 4 wheel wet disc brake. Front and rear independent brake circuit
Parking brakes	Spring applied, hydraulically released, dry disc type with external output shaft

STEERING SYSTEM	
Type	Articulated frame steering
Steering angle	Each direction 37°; total 74°
Cylinders	Double-acting piston type
No. x Bore x Stroke	2 x 2.8" x 17.4" (2 x 70 mm x 442 mm)

HYDRAULIC SYSTEM	
Arm and bucket are controlled by multifunction lever	
Arm controls	Four position valve; Raise, hold, lower, float
Bucket controls with automatic bucket return-to-dig control	
Three position valve; Roll back, hold, dump	
Main pump (Serve as steering pump)	
Variable Displacement Axial Plunger Pump	
Maximum flow	72.6 gal (275 L) /min at 2,200 min <sup>-1</sup> (rpm)
Maximum pressure	3,974 psi (27.4 MPa)
Fan pump	
Fixed Displacement Gear Pump	
Maximum flow	17.4 gal (65.6 L) /min at 2,200 min <sup>-1</sup> (rpm)
Maximum pressure	2,756 psi (19.0 MPa)
Hydraulic cylinders	
Type	Double acting type
No. x Bore x Stroke	Arm: 2 x 5.1" x 34.6" (2 x 130 mm x 880 mm)
	Bucket: 1 x 6.5" x 20.1" (1 x 165 mm x 510 mm)
Filters	Full-flow 9 micron return filter in reservoir
Hydraulic cycle times	
Lift arm raise	5.6 s
Lift arm lower	3.3 s
Bucket dump	1.5 s
Total	10.4 s

\*Data at Power Mode

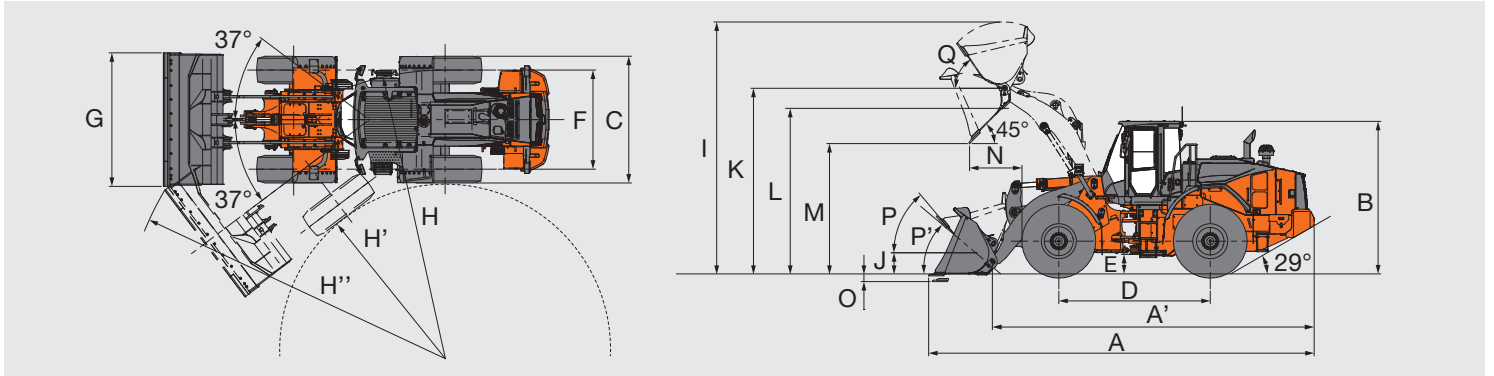
ENVIRONMENT	
Engine Emissions	
EPA Final Tier 4/EU stage V	
Sound level	
Sound level in cab according to ISO 6,396: 2,008	LpA 68 dB(A)
External sound level according to ISO 6,395: 2,008 and EU Directive 2,000/14/EC	LwA 105 dB(A)

SERVICE REFILL CAPACITIES	
Fuel tank	67.3 gal (255 L)
Engine coolant	7.7 gal (29 L)
Engine oil	6.6 gal (25 L)
Torque converter and transmission	7.1 gal (27 L)
Front axle differential and wheel hubs	8.4 gal (32 L)
Rear axle differential and wheel hubs	8.4 gal (32 L)
Hydraulic oil tank	30.1 gal (114 L)
DEF/AdBlue® tank	6.6 gal (25 L)

# SPECIFICATIONS

ZW220-7

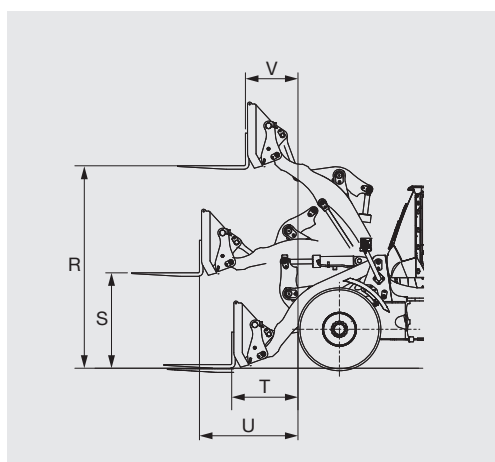
## DIMENSIONS AND SPECIFICATIONS



Bucket type		Standard arm			High-lift arm	
		General purpose	Material handling	Quick Coupler	General purpose	
		Bolt-on cutting edge	Bolt-on cutting edge	Bolt-on cutting edge	Bolt-on cutting edge	
Bucket capacity	ISO 7,546: 1,983 Heaped yd <sup>3</sup> (m <sup>3</sup> )	4.2 (3.2)	4.7 (3.6)	3.7 (2.8)	4.2 (3.2)	
	ISO 7,546: 1,983 Struck yd <sup>3</sup> (m <sup>3</sup> )	3.5 (2.7)	4.1 (3.1)	3.0 (2.3)	3.5 (2.7)	
A	Overall length	ft-in (mm)	27' 6" (8,395)	27' 8" (8,445)	28' 1" (8,575)	29' 2" (8,895)
A'	Overall length, without bucket	ft-in (mm)	23' 3" (7,110)	23' 3" (7,110)	23' 3" (7,110)	24' 11" (7,610)
B	Overall height, up to cab top	ft-in (mm)	11' 0" (3,370)			
C	Width over tires, outside tire	ft-in (mm)	9' 3" (2,825)			
D	Wheel base	ft-in (mm)	10' 9" (3,300)			
E	Ground clearance, minimum	ft-in (mm)	1' 5" (450)			
F	Tread	ft-in (mm)	7' 1" (2,160)			
G	Bucket width	ft-in (mm)	9' 6" (2,910)	9' 6" (2,910)	9' 6" (2,910)	9' 6" (2,910)
H	Turning radius, centerline of outside tire	ft-in (mm)	19' 8" (6,010)	19' 8" (6,010)	19' 8" (6,010)	19' 8" (6,010)
H'	Turning radius to inside of tires	ft-in (mm)	11' 6" (3,520)	11' 6" (3,520)	11' 6" (3,520)	11' 6" (3,520)
H''	Loader clearance radius, bucket in carry position	ft-in (mm)	22' 9" (6,955)	22' 10" (6,970)	22' 11" (7,005)	23' 5" (7,155)
I	Overall operating height, bucket full raise	ft-in (mm)	17' 9" (5,435)	17' 10" (5,450)	18' 1" (5,520)	19' 2" (5,845)
J	Carry height of bucket pin, at carry position	ft-in (mm)	1' 11" (590)	1' 11" (590)	1' 11" (590)	1' 11" (590)
K	Height to bucket hinge pin, fully raised	ft-in (mm)	13' 4" (4,085)	13' 4" (4,085)	13' 4" (4,085)	14' 8" (4,495)
L	Lift arm clearance at max lift	ft-in (mm)	12' 4" (3,780)	12' 4" (3,780)	12' 4" (3,780)	13' 8" (4,190)
M	Dumping clearance 45°, full height	ft-in (mm)	9' 5" (2,895)	9' 4" (2,855)	9' 0" (2,765)	10' 10" (3,305)
N	Reach, 45° dump, full height	ft-in (mm)	3' 8" (1,130)	3' 10" (1,170)	4' 1" (1,260)	4' 2" (1,290)
O	Digging depth, horizontal digging angle	in (mm)	4.3 (110)	4.3 (110)	4.3 (110)	7.5 (190)
P	Max. roll back at carry position	deg	50			
P'	Max. roll back at ground level	deg	43			44
Q	Roll back angle at full height	deg	60			52

Bucket type			Standard arm			High-lift arm
			General purpose	Material handling	Quick Coupler	General purpose
			Bolt-on cutting edge	Bolt-on cutting edge	Bolt-on cutting edge	Bolt-on cutting edge
Static tipping load ISO 14,397-1: 2,007 (Section 1-5) *	Straight	lb (kg)	33,797 (15,330)	33,532 (15,210)	30,578 (13,870)	26,984 (12,240)
	Full 40° turn	lb (kg)	29,938 (13,580)	29,696 (13,470)	26,962 (12,230)	23,788 (10,790)
Breakout force		kN	145	138	124	132
		lbf (kgf)	32,625 (14,760)	31,050 (14,060)	27,900 (12,680)	29,700 (13,460)
Operating weight *	(With ROPS / FOPS Cab)	lb (kg)	40,013 (18,150)	40,190 (18,230)	41,094 (18,640)	40,344 (18,300)

\* Static tipping load and operating weight marked with\* include 23.5R25 (L3) tires (No ballast) with lubricants, full fuel tank and operator. Machine stability and operating weight depend on counterweight, tire size and other attachments.



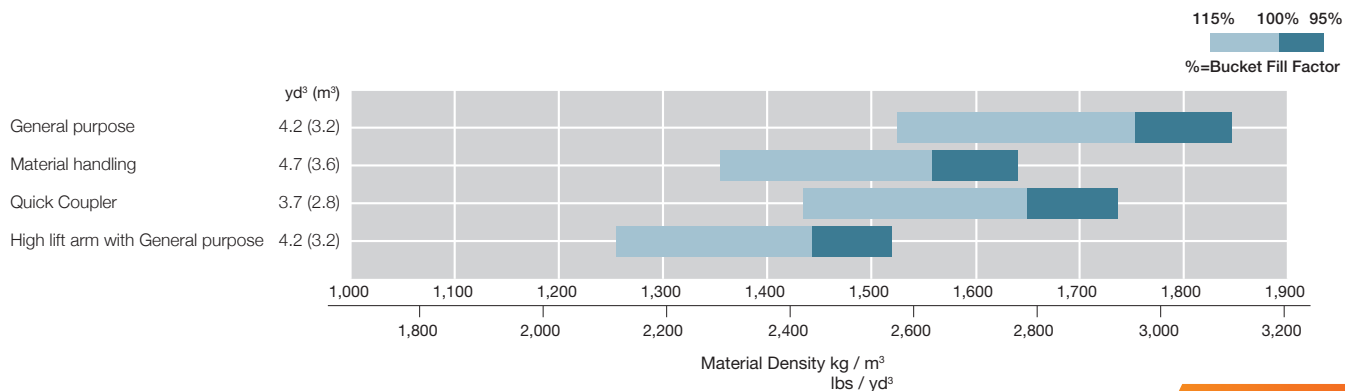
Attachment type			Fork
R	Max. stacking height	ft-in (mm)	12' 10" (3,915)
S	Height of fork at maximum reach	ft-in (mm)	6' 2" (1,885)
T	Reach at ground level	ft-in (mm)	10' 0" (3,055)
U	Max. reach	ft-in (mm)	12' 2" (3,710)
V	Reach at max. stacking height	ft-in (mm)	9' 4" (2,845)
Static tipping load	Straight	lbf (kgf)	19,091 (8,660)
	Full 40° turn	lbf (kgf)	16,777 (7,610)
Max. payload per EN 474-3, 80 %		lb (kg)	13,403 (6,080)
Max. payload per EN 474-3, 60 %		lb (kg)	10,052 (4,560)
Fork tine length		in (mm)	72" (1,830)
Operating weight *		lb (kg)	41,336 (18,750)

\* Static tipping load and operating weight marked with\* include 23.5R25 (L3) tires (No ballast) with lubricants, full fuel tank and operator. Machine stability and operating weight depend on counterweight, tire size and other attachments.

### WEIGHT CHANGE

Option item	Operating weight lb (kg)	Tipping load lb (kg)		Overall width in (mm) (outside tire)	Overall height in (mm)	Overall length in (mm)
		Straight	Full turn			
Tire	23.5R25(L3) VJT	±0	±0	±0	±0	±0
	23.5R25(L3) XHA2	-132 (-60)	-198 (-90)	-176 (-80)	±0	±0
Belly guard	+375 (+170)	+309 (+140)	+287 (+130)	-	-	-

### BUCKET SELECTION GUIDE



# EQUIPMENT

## ZW220-7

●: Standard equipment ○: Optional equipment

ENGINE	ZW220-7
Aftertreatment device	●
Aftertreatment manual regeneration inhibit switch	●
Aftertreatment manual regeneration switch	●
Air filter double elements	●
Air intake	
Pre-cleaner (sy-klone)	●
Air filter double elements	●
Anti-clogging radiator (wide fin pitch)	●
Automatic reversible cooling fan with heat sensing	●
Cartridge-type engine oil filter	●
Cartridge-type fuel main filter	●
Cartridge-type fuel pre-filter	●
Coolant reservoir sight gauge	●
DEF/AdBlue® tank extension filler with ISO magnet adapter	●
Engine auto shut-down control system	●
Engine oil remote drain	●
Fan guard	●

BRAKE SYSTEM	ZW220-7
Front and rear independent brake circuit	●
Inboard mounted fully hydraulic 4 wheel wet disc	●
Spring-applied/Hydraulic-released parking brake	●

HYDRAULIC SYSTEM	ZW220-7
Bucket auto leveler (automatic return to dig control)	●
Electric control lever	
3 spools control valve	
Multifunction single lever and Proportional switch for 3rd function	●
Dual levers with additional lever for 3rd function	○
Control lever lock switch	●
Dual lift arm auto leveler and kickout system	●
Hydraulic filters	●
Lift arm float system	●
Quick coupler piping and switch	●
Reservoir sight gauge	●
Ride control system (OFF-AUTO type)	●
Work mode selector	●

CAB	ZW220-7
Air conditioner/heater/pressurizer with climate control	
Fresh and recirculation filters	●
RESPA-CF2 Powered Fresh Air Precleaner/Filter/Pressurizer	○
Bluetooth® hands-free calling DAB+radio with USB port	●
Camera and 8" LCD monitor	
AERIAL ANGLE (Bird's Eye 270° view)	○
Rear view camera and monitor	●
Coat hook	●
Evacuation hammer	●
Front/rear defroster	●
Glove compartment	●
Hydraulic steering system with sure-grip wheel and knob	●
LED cab light (Off, On, & Auto)	●
Payload checker with tip-off function	●
Rear obstacle detection system	○
Rear view mirrors	
Inside (1)	●
Outside (2)	●
Premium Outside remote adjustable heated mirrors	○
Retractable seat belt, 3" (76 mm)	●
ROPS (ISO 3,471: 2,008), FOPS (ISO 3,449: 2,008 LEVEL II): multi-plane isolation mounted for noise,vibration reduction	●
Rubber floor mat with easy cab clean out	●
Seat	
Fully adjustable, fabric, air ride suspension, heated, heavy duty seat with headrest	●
Seat belt reminder light	●
Steering column, telescoping and tilting w/quick-release pedal	●
Stereo speakers (2)	●
Storage	
Document holder	●
Hot and cool box	●
Removable cup holder	●
Seatback pocket	●
Smartphone and Tablet device holder	●
Sunscreen roller type	●
Textured steering wheel with spinner knob	●
Tinted safety glass	
Front windshield: laminated	●
Sides and rear: tempered	●
USB power supply	●
Windshield wiper front with intermittent, low, high, and Quick Wipe feature	●
Windshield wipers front and rear	●
8" sub monitor	●

●: Standard equipment ○: Optional equipment

MONITORING SYSTEM	ZW220-7
Gauge: coolant temperature, fuel level, transmission oil temperature	●
Indicator lights: clearance lights, control lever lock, low fuel level, high beam headlights, parking brake, engine preheat, turn and hazard signals, work lights, fan reverse indicator, seat belt indicator	●
Indicator on multifunction monitor: F-N-R shift position, gear shift position, clock, DEF alarm indicator, DEF level gauge, ECO indicator, forward/reverse selector switch indicator, hold display, hour meter, joystick steering indicator (optional), odometer, battery volt, speedometer, tachometer, transmission auto-shifting indicator, Warning lights: air filter restriction, brake oil low pressure, communication system error, discharge warning, engine oil low pressure, engine warning, hydraulic oil level, low steering oil pressure, overheat, transmission warning	●
Indicator on sub monitor: payload checker, dual auto-leveler indicator rear obstacle detection and warning system (optional)	●
38 languages selection	●

ELECTRICAL SYSTEM	ZW220-7
Alternator DC 24V-95A (2.28 kW)	●
Backup alarm	●
Battery disconnect switch	●
Large capacity batteries (2), 12V, 930 CCA	●
Power outlet 12V and 24V	●

LIGHTS	ZW220-7
Clearance lights	●
LED brake and tail lights	●
LED headlights	●
Rotating lamp	○
Turn signals with hazard switch	●
Work lights	
LED working lights 4 front, 2 rear cab-mounted, and 2 rear grill-mounted anti-glare (high brightness)	●

POWER TRAIN	ZW220-7
Approach Speed Control feature (travel speed limiter)	●
Automatic transmission with load sensing system	●
Clutch cut (declutch) switch	●
Maximum travel speed limiter (12.4 mph (20 km/h)) - dealer activated)	○
Forward/reverse lever	●
Forward/reverse selector switch	●
Maximum gear limited switch	●
Power mode switch	●
Quick power switch	●
Settings DSS (down shift switch) (2)	○
Travel mode selector (manual, auto1, and auto2)	●

TIRES	ZW220-7
Bridgestone 23.5R25 (L3) VJT	●

MISCELLANEOUS	ZW220-7
Articulation lock bar	●
Belly guard (bolt on type) (front/rear)	○
Cab top rails on front and rear (hand rails)	●
Cab window cleaning foot plates (steps)	●
Counterweight with towing pin	●
Emergency steering	●
Exclusive Exclusive Global e-Service telematics	●
Fenders	
23.5R25 (front and half covered rear fenders with mud flaps)	●
23.5R25 (front and full covered rear fenders with mud flaps)	○
Lift and tie down hooks	●
Lift arm	
Standard lift arm	●
High lift arm	○
Vandalism Protection	
Lockable battery box	●
Lockable cab door	●
Lockable engine covers	●
Lockable fuel refilling cap	●
Radiator dust protection screen	○
Storage box	●







# HITACHI

## Reliable Solutions



## REPUTATIONS ARE **BUILT ON IT.**

A legacy built on quality products and service: this is our story. For more than 50 years, Hitachi Construction Machinery Americas has been the regional partner of Hitachi Construction Machinery Group, headquartered in Japan.

Well-respected in North America since the 1970s when Hitachi Construction Machinery Group led a prominent joint venture, Hitachi Construction Machinery Americas recently established a new facility in Newnan, GA. that is poised to support local customers for years to come.

With input from construction professionals on every continent, our machinery is manufactured at state-of-the-art facilities in Japan and exported for sale across the world.

Your local Hitachi Construction Machinery Americas dealer has the resources, expertise, and personnel to work with you, ensuring the best return on investment. Utilizing carefully designed programs and services in conjunction with extensive digital resources, Hitachi Construction Machinery Americas provides a focused approach to supporting you, your business, and the durable construction machinery that your operation relies upon.

Machines in this brochure may be representative of global products not sold in the North American market, and used for illustrative purposes only. Options may not be available in all markets. Before operating this machine (incl. satellite communication system) outside of its original country of sale, it may be necessary to make modifications to comply with local regulatory, safety, and legal requirements. Please do not export or operate this machine outside the country of its intended use until such compliance has been confirmed. Contact your dealer for more assistance with regional compliance.

