

HITACHI

CONSTRUCTION HYDRAULIC EXCAVATOR ZX210LC-7H



Reliable Solutions



Gross Power : 172 HP (128.4 kW)
Operating Weight : 50,927 lbs (23,100 kg)
Max Dig Reach : 32 ft (9.75 m)
Max Dig Depth : 21 ft 11in (6.67 m)
Model Code : ZX210LC-7H

ZAXIS210

A Legacy of Confidence

Known worldwide, Hitachi Construction Machinery has helped generations of builders, doers, and earth-movers accomplish their goals. Hitachi Construction Machinery Americas is the source for all U.S. and Latin American operations hoping to improve productivity and reduce costs — all while building our shared future.

Pioneering Progress Together

From dedicated Rental and Used machines business to servicing, parts sales, and remote diagnostic support, Hitachi Construction Machinery Americas has the know-how and desire to establish productive working partnerships across the region. A network of independent, local dealers providing sales and service support are at the ready, waiting to begin work on the next phase of your legacy.



Welcome to

Hitachi Construction

Endless Ambition

All of our machines have been built at state-of-the-art Hitachi Construction Machinery production facilities in Japan, after incorporating the unique needs of our North American customers. Designed for the toughest terrains, harshest environments and most intricate projects, we believe there is no job that couldn't make use of our machine.

Unwavering Dependability

Our dedication to reliability parallels our commitment for your comfort. Safety is non-negotiable; our machines adhere to the highest standards, ensuring your team's well-being. Count on Hitachi Construction Machinery Americas for peace of mind to ensure every team member returns home safely after a hard day's work.



Machinery Americas



Command with **QUALITY**

We're proud to introduce the latest range of excavators worthy of the Hitachi Construction Machinery Americas equipment name.

At job sites across the world, our partners depend on the latest Hitachi Construction Machinery Americas equipment for increased productivity, improved operator comfort, efficient maintenance needs and innovative safety features proven to keep workers safe.

This brochure is a guide for fleet owners as well as day-to-day operators of this equipment who are hoping to save time, money, to dream big — and build bigger.

Building on decades of quality engineering, Hitachi Construction Machinery Americas presents the latest in its ZAXIS-7 lineup, the ZX210LC-7H excavator.





TABLE OF CONTENTS

- 02** Who We Are
- 04** Introduction
- 06** Machine Highlights
- 08** Performance
- 10** Applications
- 12** Inside the Cab
- 14** Service & Maintenance
- 16** Safety
- 18** Specifications

Build it **BIGGER**

Upholding a tradition of excellence means we're focused on the long-term: meaningful changes that add up over a machine's lifetime. Improved digging power, stability, and efficiency increase productivity compared with previous Hitachi Construction Machinery Americas excavators.

When using heavy attachments, ZX210LC-7H operators have a number of tools at their disposal, including flow rate adjustment, Auxiliary Function Lever (AFL), and several other specialized heavy-duty options.

Add it all up and the ZX210LC-7H arrives from our factory ready to build a legacy with your name on it.

Improved Design Concept

Accomplish a wide variety of jobs with a powerful platform proven in multiple industries, then extend capability as-needed with a range of attachments.



Class-Leading Hydraulic System

Exclusive TRIAS III three pump hydraulic system for power, enhanced operator control, and reduced fuel usage.

Reliable & Powerful Engine

Proven Isuzu diesel engine with up to 494 lbf of torque.

Increased Durability

Stout undercarriage with integrated X-Frame and enhanced track protection.

Quality Materials

From non-slip exterior surfaces to more durable interior materials, our machines are made to last.





First-Class Cab Comfort

Enlarged cab space, visibility of controls, and operator line-of-sight.



Enhanced Productivity

Uptime is everything: lower fuel consumption and higher quality components mean less downtime and lower servicing costs.



Service & Maintenance

With ConSite Air, ConSite Oil, and field-tested maintenance routines, ZX210LC-7H is a workhorse with predictable service intervals.



Gross Power : 172 HP (128.4 kW)
Operating Weight : 50,927 lbs (23,100 kg)
Max Dig Reach : 32 ft (9.75 m)
Max Dig Depth : 21 ft 11 in (6.67 m)

POWER In Reserve

Upgrade your toolset with the unparalleled torque, speed and precision of the ZX210LC-7H. With a proven 172 horsepower (128.4 kW) for applications as diverse as earthmoving, material handling, demolition, underground excavation, and more.

Latest TRIAS III Hydraulics

Next generation TRIAS III hydraulic system reduces fuel use and optimizes performance. This three-pump system provides quick response to all control inputs and minimizes hydraulic losses.



Standard Work Modes

Three operator work modes (ECO, PWR, HP) best match available power to job site conditions.

Modern Emissions Controls

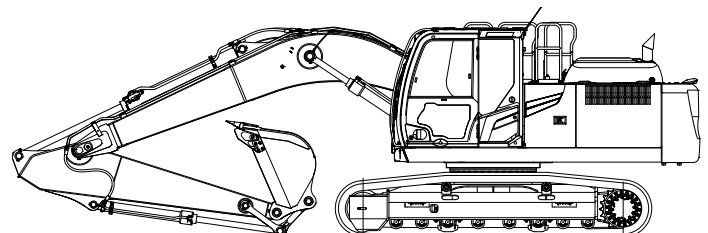
Durable diesel oxidation catalyst (DOC) and selective catalytic reduction (SCR) aftertreatment solution to protect the environment while preventing downtime.

Smart Engine Management

Isuzu Tier 4 Final Engine with built-in modes like an auto idle system with auto shutdown control to enhance fuel efficiency.

Full Operator Control

Settings monitor allows operators to tailor attachment and arm speed for a range of jobs, from heavy digging to truck loading.



HIGH PERFORMANCE



**INCREASE
UPTIME**

and better
cost control.

excavator



“ The Hitachi ZX210-7H was designed and built with the purpose to take on the toughest jobs - **delivering optimal performance, production, and maximizing uptime.** ”



Patrick Baker,
Hitachi Construction Machinery Americas
Excavator Product Manager



Versatile **CHAMPION**

No matter the job site, ZX210LC-7H has what it takes to accelerate productivity. Most at home in residential & commercial construction, road & highway infrastructure improvements, and for equipment rental. This durable yet cutting-edge equipment is versatile from Day 1 and will adapt as needed to work alongside any operation.





1

2

3

4

5

6

7

8

9

10

16

15

13

14

12

11



CONFIDENT Controls

Built with operators at heart: a larger cab with more head clearance and less noise, a panoramic view for operators, and one-touch adjustable air suspension seat synchronized to move with the console.

- 1 **Increased sweeping area of parallel link wiper** enhances visibility in difficult working conditions.
- 2 **Air conditioning and audio** are easily controlled via the monitor.
- 3 **Low-reflective color 8" LCD monitor** is easy to view and navigate.
- 4 **USB socket and smartphone holder** helps you stay connected.
- 5 **Detachable cup holder** for easy cleaning.
- 6 **Additional joystick controls** for effortless operation.
- 7 **Ergonomic design** gives you convenient access to controls.
- 8 **Bluetooth®** for hands-free calls.
- 9 **Multifunctional control panel** makes operation easier.
- 10 **Improved sound isolation** makes this one of the quietest cabs in the market.
- 11 **User-friendly storage space** keeps your workspace tidy and clutter-free.
- 12 **Coat hooks** take care of your personal belongings.
- 13 **One-touch adjustment lever for console** so you can work comfortably in the optimum position.
- 14 **Integrated console and seat suspension** gives a greater sense of control and helps to reduce fatigue.
- 15 **Increased legroom** creates a more spacious cab.
- 16 **Optimal pedal layout** helps to reduce fatigue.



SERVICE That Sticks

Protect your investment with proactive support services. Hitachi Construction Machinery Americas distribution network is dedicated to ensuring your productivity with our support team and dealers. Ask about how ConSite Oil and ConSite Air technology further increases uptime.

ConSite
Consolidated Solution for Construction Sites



NO HASSLE Maintenance

From up-to-the-second remote management with ConSite to the leading Hitachi Construction Machinery Americas Certified Remanufactured Components program, maintenance support is second-to-none. Identify problems before they start and supercharge productivity with our behind-the-scenes data platform that allows for remote fleet diagnostic access.



360° SAFETY

Innovative, standard safety features are core to maintaining an incident-free jobsite. From a standard AERIAL ANGLE camera system to a full suite of operator tools to ensure safety always comes first.

AERIAL ANGLE Cameras

Peripheral vision camera system provides a wide 270-degree bird's-eye view of the machine's immediate environment.

Unmatched Visibility

See and be seen: LED work lights, large reflective strips, improved windshield wiper and roller sunshades ensure visibility in all conditions.

Cab Guards

Optional cab guarding increases operator protection in extreme and challenging environments.

Multiple View Monitors

With left, rear, and right side cameras and six different viewing positions from inside the cab display, operators can see clearly in all directions.





SPECIFICATIONS

ENGINE	
Model	Isuzu 4HK1
Type	4-cycle water-cooled, common rail direct injection
Aspiration	Variable geometry turbocharged, intercooled, cooled EGR
Aftertreatment	DOC + SCR system
No. of cylinders	4
Rated power	
ISO 14396: 2002 gross	172 HP (128.4 kW) at 2,000 min ⁻¹
ISO 9249: 2007 net	164 HP (122.0 kW) at 2,000 min ⁻¹
Maximum torque	494 lbf (670 Nm) at 1,600 min ⁻¹
Piston displacement	316.898 cu.in. (5.193 L)
Bore and stroke	4.5" x 4.9" (115 mm x 125 mm)
Batteries	2 x 12 V/88 Ah

HYDRAULIC SYSTEM			
Hydraulic Pumps			
Main pumps	3 variable displacement axial piston pumps		
Maximum oil flow	2 x 56 gal/min (212 L/min)		
	1 x 49 gal/min (184 L/min)		
Pilot pump	1 gear pump		
Maximum oil flow	8.9 gal/min (33.7 L/min)		
Hydraulic Motors			
Travel	2 variable displacement axial piston motors		
Swing	1 axial piston motor		
Relief Valve Settings			
Implement circuit	4,974.8 psi (34.3 MPa)		
Swing circuit	4,699.2 psi (32.4 MPa)		
Travel circuit	4,974.8 psi (34.3 MPa)		
Pilot circuit	565.6 psi (3.9 MPa)		
Power boost	5,511.4 psi (38.0 MPa)		
Hydraulic Cylinders			
	Quantity	Bore	Rod diameter
Boom	2	4.7" (120 mm)	3.3" (85 mm)
Arm	1	5.3" (135 mm)	3.7" (95 mm)
Bucket	1	4.5" (115 mm)	3.2" (80 mm)

UPPERSTRUCTURE	
Revolving Frame	
D-section frame for resistance to deformation.	
Swing Device	
Axial piston motor with planetary reduction gear is bathed in oil. Swing circle is single-row. Swing parking brake is spring-set/hydraulic-released disc type.	
Swing speed	11.4 min ⁻¹
Swing torque	50,154 lbf (68.0 kNm)

UNDERCARRIAGE	
Tracks	
Tractor-type undercarriage. Welded track frame using selected materials. Side frame welded to track frame. Lubricated track rollers, idlers, and sprockets with floating seals. Track shoes with triple grousers made of induction-hardened rolled alloy. Heat-treated connecting pins with dirt seals. Hydraulic (grease) track adjusters with shock-absorbing recoil springs.	
Numbers of Rollers and Shoes on Each Side	
Upper rollers	2
Lower rollers	8
Track shoes	49
Track guards	3
Travel Device	
Each track driven by 2-speed axial piston motor. Parking brake is spring-set/hydraulic-released disc type. Automatic transmission system: High-Low.	
Travel speeds	High: 0 to 3.4 mph (0 to 5.5 km/h)
	Low: 0 to 2.2 mph (0 to 3.5 km/h)
Maximum traction force	45,636 lbf (203 kN)
Gradeability	70% (35 °) continuous

SERVICE REFILL CAPACITIES	
Fuel tank	105.6 gal (400.0 L)
Engine coolant	7.4 gal (28.0 L)
Engine oil	6.1 gal (23.0 L)
Swing device	1.8 gal (6.9 L)
Travel device (each side)	1.8 gal (6.8 L)
Hydraulic system	63.4 gal (240.0 L)
Hydraulic oil tank	35.6 gal (135.0 L)
DEF/AdBlue® tank	15.0 gal (57.0 L)

ENVIRONMENT	
Engine Emissions	EPA Final Tier 4 / EU Stage IV
Sounds Level	
Sound level in cab according to ISO 6396: 2008	LpA 70 dB(A)
External sound level according to ISO 6395: 2008 and EU Directive 2000/14/EC	LwA 101 dB(A)

WEIGHTS AND GROUND PRESSURE

Operating Weight and Ground Pressure

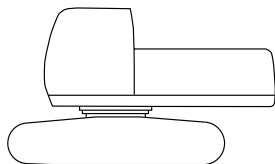
			ZX210LC-7H	
Boom type			Monoblock	
Shoe type	Shoe width inch (mm)	Arm length ft-in (m)	lb (kg)	psi (kPa)
Triple grouser	32" (800)	9'7" (2.91)	50,927 (23,100)	5.22 (36)

Including 1.05 yd³ (0.80 m³) (ISO 7451: 2007 heaped) bucket weight, 1,455 lb (660 kg) and counterweight, 10,692 lb (4,850 kg).

BASIC MACHINE WEIGHT AND COMPONENTS WEIGHT

Basic Machine Weight and Overall Width

Excluding front end attachment, fuel, hydraulic oil and coolant etc. Including counterweight.



		ZX210LC-7H	
Shoe type	Shoe width in (mm)	Weight lb (kg)	Overall width in (mm)
Triple grouser	32" (800)	40,572 (18,400)	10' 6" (3,190)

Components Weight

Unit: lb (kg)

	ZX210LC-7H
Counterweight	10,692 (4,850)
Monoblock boom (with arm cylinder and boom cylinder)	4,850 (2,200)
Arm 9' 7" (2.91 m) (with bucket cylinder)	2,447 (1,110)
Bucket ISO 7451: 2007 1.05 yd ³ (0.80 m ³)	1,455 (660)

BUCKET AND ARM DIGGING FORCE

Unit: lbf (kN)

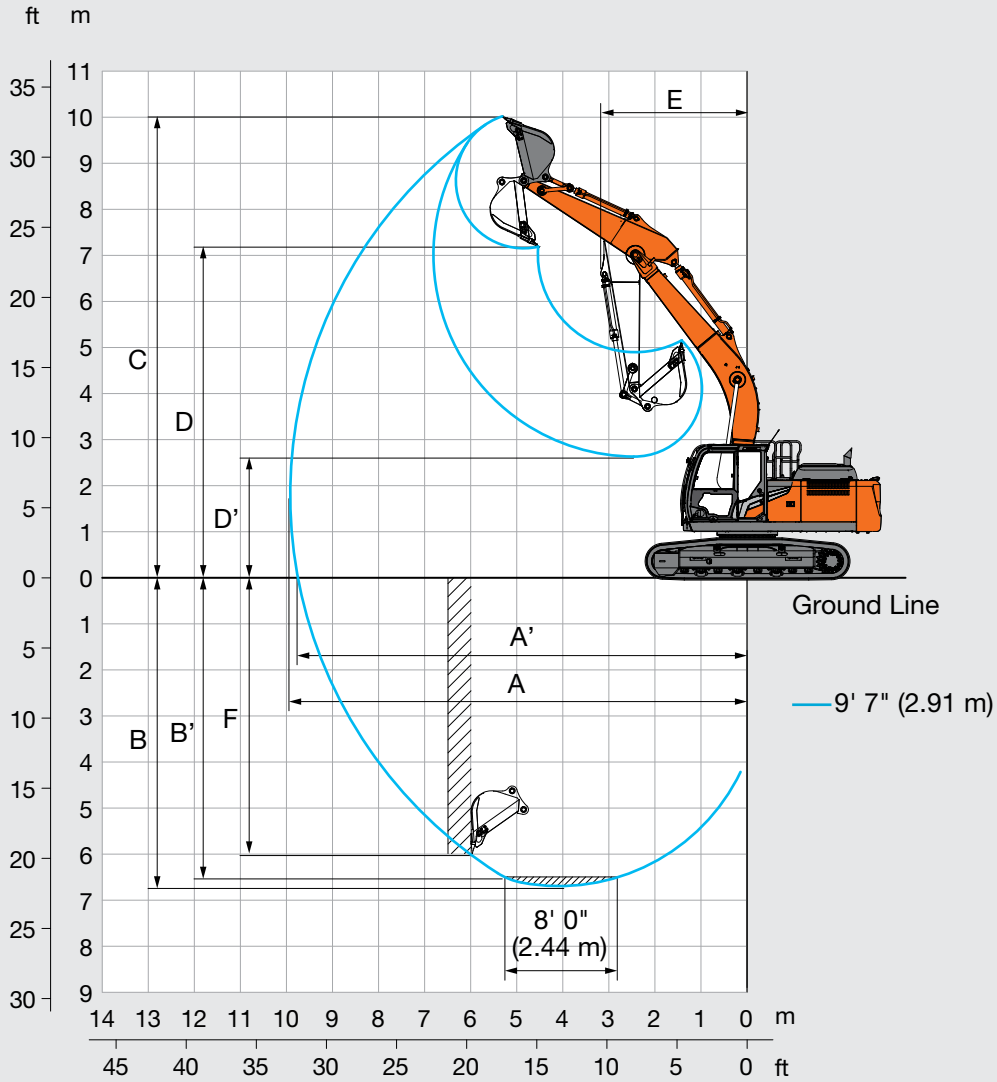
	ZX210LC-7H
Arm length	9' 7" (2.91 m)
Bucket digging force* ISO 6015: 2006	35,520 (158)
Arm crowd force* ISO 6015: 2006	25,628 (114)

* At power boost

SPECIFICATIONS

ZX210LC-7H

WORKING RANGES

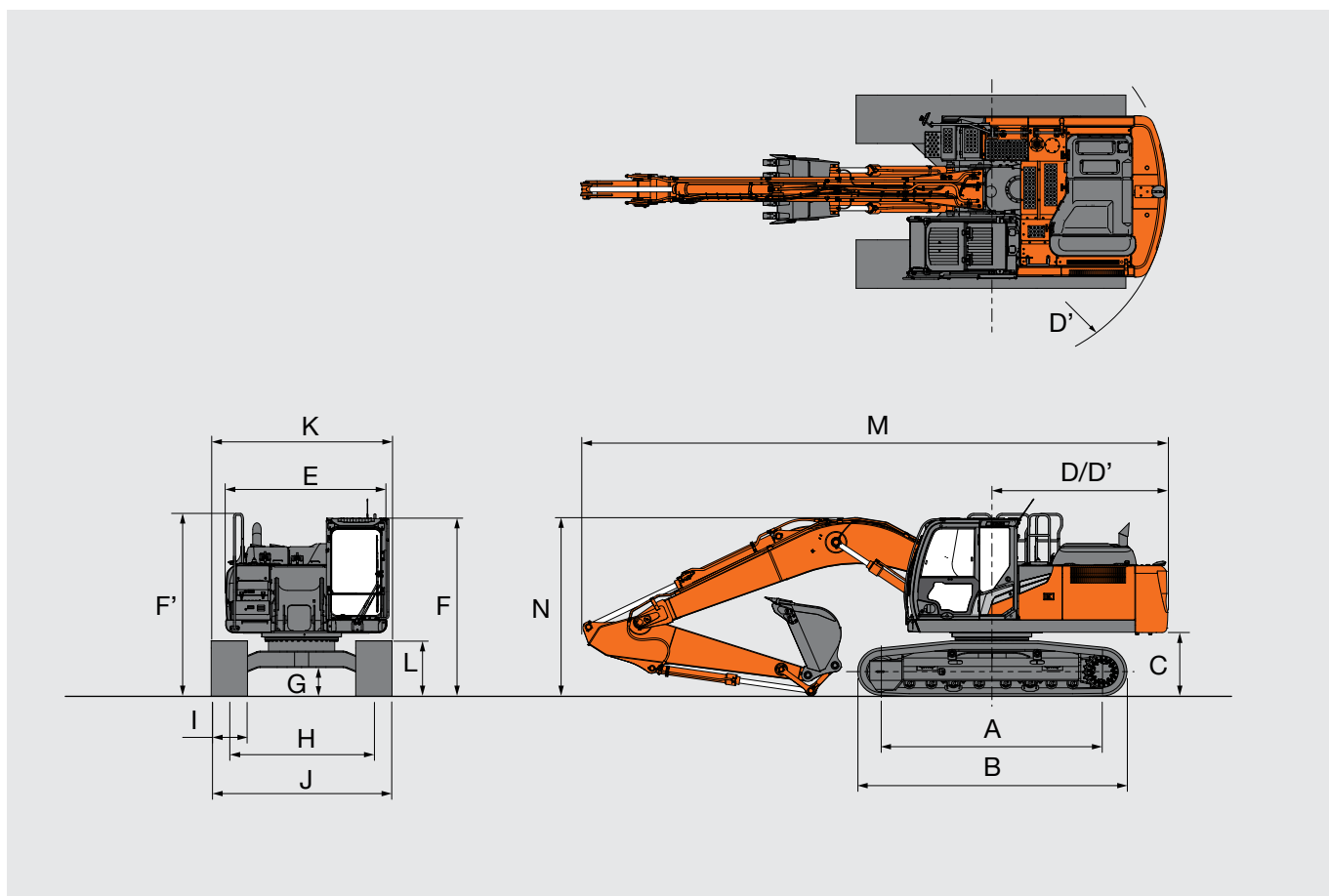


Unit: ft-in (mm)

	ZX210LC-7H
	Monoblock boom
Arm length	9' 7" (2,91 m)
A Max. digging reach	32' 7" (9,920)
A' Max. digging reach (on ground)	31' 12" (9,750)
B Max. digging depth	21' 11" (6,670)
B' Max. digging depth for 8' 0" (2.44 m) level	21' 3" (6,480)
C Max. cutting height	32' 11" (10,040)
D Max. dumping height	23' 7" (7,180)
D' Min. dumping height	8' 8" (2,650)
E Min. swing radius	10' 5" (3,180)
F Max. vertical wall digging depth	19' 8" (5,990)

Excluding track shoe lug

DIMENSIONS



Unit: ft-in (mm)

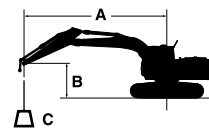
	ZX210LC-7H	
	Monoblock boom	
A	Distance between tumblers	12' 0" (3,660)
B	Undercarriage length	14' 7" (4,450)
C	Counterweight clearance	3' 2" (990)
* D	Rear-end swing radius	9' 7" (2,910)
D'	Rear-end length	9' 7" (2,910)
E	Overall width of upperstructure	8' 10" (2,700)
F	Overall height of cab	9' 8" (2,950)
F'	Overall height of handrail	9' 11" (3,030)
* G	Min. ground clearance (Triple grouser shoe)	1' 6" (450)
H	Track gauge	7' 10" (2,390)
I	Track shoe width	G 2' 7" (800)
J	Undercarriage width	10' 6" (3,190)
K	Overall width	10' 6" (3,190)
* L	Track height with triple grouser shoes	2' 11" (900)
M	Overall length with 9' 7" (2.91 m) arm	31' 9" (9,670)
N	Overall height of boom with 9' 7" (2.91 m) arm	9' 9" (2,960)

* Excluding track shoe lug

MACHINE CAPACITIES

ZX210LC-7H

- Notes:
1. Ratings are based on ISO 10567: 2007.
 2. Machine capacity does not exceed 75% of tipping load with the machine on firm, level ground or 87% full hydraulic capacity.
 3. The load point is the center-line of the bucket pivot mounting pin on the arm.
 4. * Indicates load limited by hydraulic capacity.
 5. 0 ft (0 m) = Ground.
 6. Each machine capacities values are applicable when selecting optional attachment basic piping and hose rupture valve for boom and arm.
 7. Machine specifications exclude the bucket.



A: Load radius
B: Load point height
C: Machine capacity

For machine capacities, subtract installed attachment and quick hitch weight from machine capacities.

To determine lifting capacities, apply "Rating over-side or 360 °" machine capacities from the table and deduct weight of installed attachment and quick hitch.

Optional feature may affect machine performance.

ZX210LC-7H MONOBLOCK BOOM

Rating over-front Rating over-side or 360 ° Unit: lb (kg)

Conditions	Load point height ft (m)	Load radius										At max. reach		
		5 ft (1.5 m)		10 ft (3.0 m)		15 ft (4.5 m)		20 ft (6.0 m)		25 ft (7.5 m)				ft-in (meter)
Boom 18' 8" (5.68 m)	20' (6.0)							11,350* (5,170)*	11,350* (5,170)*			8,850* (4,000)*	8,850* (4,000)*	24' 0" (7.32)
	15' (4.5)					14,160* (6,550)*	14,160* (6,550)*	12,440* (5,710)*	12,440* (5,710)*	11,690* (5,320)*	9,110 (4,230)	8,710* (3,950)*	8,440 (3,800)	26' 3" (8.01)
	10' (3.0)					18,190* (8,440)*	18,190* (8,440)*	14,260* (6,570)*	12,340 (5,720)	12,400* (5,680)*	8,890 (4,120)	8,940* (4,060)*	7,710 (3,490)	27' 6" (8.37)
	5' (1.5)					21,930* (10,150)*	17,610 (8,160)	16,120* (7,430)*	11,800 (5,470)	13,130 (6,090)	8,640 (4,000)	9,550* (4,340)*	7,450 (3,380)	27' 9" (8.45)
Arm 9' 7" (2.91 m)	0 (Ground)			11,130* (4,810)*	11,130* (4,810)*	23,820* (11,000)*	16,980 (7,880)	17,360* (8,000)*	11,420 (5,290)	12,920 (5,990)	8,450 (3,910)	10,680* (4,840)*	7,590 (3,440)	27' 1" (8.25)
	-5' (-1.5)	12,210* (5,440)*	12,210* (5,440)*	20,630* (9,060)*	20,630* (9,060)*	23,770* (10,960)*	16,800 (7,800)	17,530* (8,090)*	11,260 (5,210)	12,860 (5,960)	8,400 (3,880)	12,580 (5,690)	8,230 (3,720)	25' 6" (7.76)
	-10' (-3.0)	22,340* (9,930)*	22,340* (9,930)*	30,830* (14,220)*	30,830* (14,220)*	21,840* (10,100)*	16,940 (7,860)	16,120* (7,490)*	11,340 (5,250)			13,580* (6,150)*	9,740 (4,390)	22' 8" (6.90)
Counterweight 10,692 lb (4,850 kg)	-15' (-4.5)			23,760* (11,090)*	23,760* (11,090)*	17,020* (8,000)*	17,020* (8,000)*					13,530* (6,150)*	13,530*	18' 1" (5.52)

EQUIPMENT

●: Standard equipment ○: Optional equipment

ENGINE	ZX210LC-7H
Aftertreatment device	●
Air cleaner double filters	●
Alternator 60 A	●
Auto idle system	●
Auto shut-down control	●
Cartridge-type engine oil filter	●
Cartridge-type fuel main filter	●
Cold fuel resistance valve	●
ConSite OIL (sensor)*	●
DEF / AdBlue® tank	●
DEF / AdBlue® tank inlet strainer and extension filler	●
Dry-type air filter with evacuator valve (with air filter restriction indicator)	●
Dust-proof indoor net	●
ECO / PWR / HP mode control	●
Electrical fuel feed pump	●
Engine oil drain coupler	●
Expansion tank	●
Fan guard	●
Fuel cooler	●
Fuel pre-filter with water separator	●
Isolation-mounted engine	●
Maintenance free pre-cleaner	○
Radiator, oil cooler and intercooler	●

HYDRAULIC SYSTEM	ZX210LC-7H
Auto power lift	●
ConSite OIL (sensor)*	●
Control valve with main relief valve	●
High mesh full flow filter	●
Hose rupture valve for boom/arm and overload alarm	○
Pilot filter	●
Power boost	●
Restriction indicator for full flow filter	○
Suction filter	●
Swing dampener valve	●
Two extra ports for control valve	●
Variable relief valve for breaker and crusher	●
Work mode selector	●

CAB	ZX210LC-7H
All-weather sound suppressed steel cab	●
Auto control air conditioner	●
AUX function lever (breaker)	●
AUX function lever (breaker assist)	○
Bluetooth® integrated radio	●
Console height adjustment	●
Control lever auto-lock	●
CRES VII (center pillar reinforced structure) cab	●
Drink holder with hot and cool function	●
Electric double horn	●
Engine shut-off switch	●
Equipped with reinforced, tinted (green color) glass windows	●
Evacuation hammer	●
Floor mat	●
Fluid-filled elastic mounts (4)	●
Footrest	●
Front window washer (2 points)	●
Glove compartment	●
Hands-free calling device	●
Hot and cool box	●
Intermittent windshield wipers	●
Key cylinder light	●
LED room light	●
Magazine rack	●
OPG front guard Level II (ISO 10262: 1998) compliant	○
OPG top guard Level I (ISO 10262: 1998) compliant	●
OPG top guard Level II (ISO 10262: 1998) compliant	○
Pilot shut-off lever	●
Power outlet 12 V and 24 V	●
Push button low idle	●
Rain guard (without OPG front guard)	●
Rear tray	●
Retractable seat belt 3" (76 mm)	●
ROPS (ISO 12117-2: 2008) compliant cab	●
Rubber radio antenna	●
Seat: air suspension seat with heater	●
Seat adjustment part: backrest, armrest, height and angle, slide forward / back	●
Seat belt reminder	●
Short wrist control levers	●
Smartphone holder	●
Stereo Speakers (2)	●
Straight travel pedal	○
Sunscreen roller type (multi-use front or side and rear window)	●
Transparent roof with slide curtain	●
USB power supply	●
Wide view wiper	●
Windows on front, upper, lower and left side can be opened	●
8" monitor	●

● Standard equipment ○ Optional equipment

MONITOR SYSTEM	ZX210LC-7H
Alarm buzzers: overheat, engine oil pressure, overload, SCR system trouble, etc	●
Alarms: overheat, engine warning, engine oil pressure, alternator, minimum fuel level, hydraulic filter restriction, air filter restriction, work mode, overload, SCR system trouble, etc	●
Display of meters: water temperature, hour, fuel rate, clock, DEF / AdBlue® rate, etc	●
Other displays: work mode, auto-idle, glow, rearview monitor, operating conditions, etc	●
35 languages selection	●

LIGHTS	ZX210LC-7H
Additional boom LED light with cover	●
Additional cab roof front LED lights	●
LED lights for camera (side and rear view camera)	●
Rotating lamp	○
Working LED lights (2)	●

UPPER STRUCTURE	ZX210LC-7H
AERIAL ANGLE (270° view camera system)	●
Batteries 2 x 126 Ah	●
Body top handrail	●
Control pattern changer (ISO / BH)	●
Counterweight 10,692 lb (4 850 kg)	●
Fuel level float	●
HD undercover	○
Hydraulic oil level gauge	●
Lockable fuel refilling cap	●
Lockable machine covers	●
Lockable tool box	●
Platform handrail	●
Side view mirror (right and left)	●
Skid-resistant plates	●
Swing parking brake	●
Undercover	●
Utility space	●
2 way battery disconnect switch	●

UNDERCARRIAGE	ZX210LC-7H
Bolt-on sprocket	●
Greasing type track adjuster	●
Reinforced track links with pin seals	●
Shoe: 32" (800 mm) triple grouser	●
Tie down brackets (4)	●
Towing hole for light weight object	●
Track guards (3 each side)	●
Track undercover	○
Travel direction mark on track frame	●
Travel motor covers	●
Travel parking brake	●
Upper and lower rollers	●

FRONT ATTACHMENTS	ZX210LC-7H
Arm 9' 7" (2.91 m)	●
Arm tip remote lubrication	●
Casted bucket link A	●
Centralized lubrication system	●
Dirt seal on all bucket pins	●
Flanged pin	●
HN bushing	●
Lower arm reinforcement	●
Reinforced bucket link B	●
Reinforced resin thrust plate	●
WC (tungsten-carbide) thermal spraying	●

ATTACHMENTS	ZX210LC-7H
Accessories for 2 speed selector	○
Additional pump (13.2 gal (50 L)/min)	○
Assist piping	○
Auxiliary hydraulic piping (straight-short piping)	○
Auxiliary hydraulic piping	●
Pilot accumulator	○

MISCELLANEOUS	ZX210LC-7H
ConSite	○
Exclusive Global e-Service telematics	●
Onboard information controller	●
Satellite communication device	○
Standard tool kit	●
Travel alarm	●

Standard and optional equipment may vary by country, so please consult your Hitachi Construction Machinery Americas Authorized local dealer for details.

* Engine oil and hydraulic oil monitoring sensor.

HITACHI

Reliable Solutions



REPUTATIONS ARE **BUILT ON IT.**

A legacy built on quality products and service: this is our story. For more than 50 years, Hitachi Construction Machinery Americas has been the regional partner of Hitachi Construction Machinery Group, headquartered in Japan.

Well-respected in North America since the 1970s when Hitachi Construction Machinery Group led a prominent joint venture, Hitachi Construction Machinery Americas recently established a new facility in Newnan, GA. that is poised to support local customers for years to come.

With input from construction professionals on every continent, our machinery is manufactured at state-of-the-art facilities in Japan and exported for sale across the world.

Your local Hitachi Construction Machinery Americas dealer has the resources, expertise, and personnel to work with you, ensuring the best return on investment. Utilizing carefully designed programs and services in conjunction with extensive digital resources, Hitachi Construction Machinery Americas provides a focused approach to supporting you, your business, and the durable construction machinery that your operation relies upon.

Machines in this brochure may be representative of global products not sold in the North American market, and used for illustrative purposes only. Options may not be available in all markets. Before operating this machine (incl. satellite communication system) outside of its original country of sale, it may be necessary to make modifications to comply with local regulatory, safety, and legal requirements. Please do not export or operate this machine outside the country of its intended use until such compliance has been confirmed. Contact your dealer for more assistance with regional compliance.

